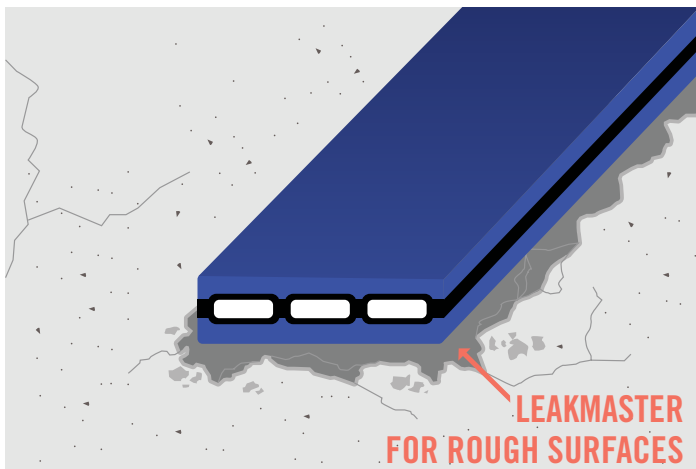


INSTALLATION

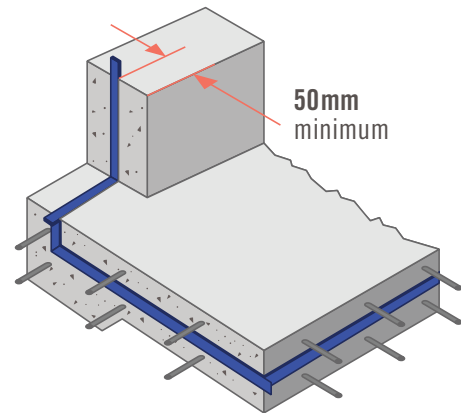
Attach Hydrotite securely to smooth and even concrete surfaces, free of dirt, oil or laitance. Attach Hydrotite using Leakmaster adhesive and nail anchors to hold Hydrotite in position during the subsequent concrete pour. Maintain minimum 50 mm concrete cover over Hydrotite when using 25 mPa or greater compressive strength concrete. Increase the cover to 100 mm when using lower strength concrete. Hydrotite profiles may be attached directly onto concrete surfaces or installed using pre-formed grooves of appropriate dimensions.

FORMING

Hydrotite profiles are installed after formwork is stripped from the first pour and before the subsequent concrete pour is made. Therefore, splitting formwork is not required. Due to the hydrophilic nature of Hydrotite, install profiles as close as possible prior to concrete placement to reduce chances for premature expansion of Hydrotite due to rain water or ground water exposure.



Apply Leakmaster to rough concrete surfaces prior to installing Hydrotite. Concrete surface must be dry.



Attach Hydrotite to existing concrete surfaces or install using pre-formed grooves in wall joints, floor to wall joints and between slabs.

BONDING TO CONCRETE

Smooth Concrete Surface - Normal forming practice leaves a sufficiently smooth surface for direct installation of Hydrotite using Leakmaster adhesive in conjunction with nail anchors. Leakmaster works well when applied to dry concrete surfaces. Remove all dust, oil, laitance, etc. from concrete surface prior to installing Hydrotite. Apply a bead of Leakmaster to concrete and place the Hydrotite profile into position. Use nail anchors to hold profiles in position on horizontal, vertical or overhead surfaces while Leakmaster cures. Nail anchors should be spaced approximately 300 mm apart.

Rough Concrete Surface - Rough concrete surfaces due to demolition or extensive weathering should be brought to a smooth condition prior to profile installation. Leakmaster can be used when the concrete surface is dry. Apply a sufficient bead of Leakmaster to rough concrete to provide a smooth surface. Install Hydrotite profiles within 4 hours after applying Leakmaster. Use nail anchors to hold the profile in position on irregular horizontal, vertical or overhead surfaces while Leakmaster cures. Nail anchors should be spaced approximately 300 mm apart.

Extremely Rough Surface - Two-part epoxy may also be used to level extremely erratic surfaces. A two-part epoxy can be used on rough, damp concrete surfaces to bond Hydrotite into position. Apply Hydrotite profiles to the epoxy surface prior to final cure. Use nail anchors to hold the profile in position on irregular horizontal, vertical or overhead surfaces.

With all three methods, inspect installed Hydrotite profiles to verify that no separation exists between the Hydrotite profile and the substrate. If separation is observed, apply a suitable bead of Leakmaster at the separation and secure using nail anchors to prevent movement during the subsequent concrete pour.



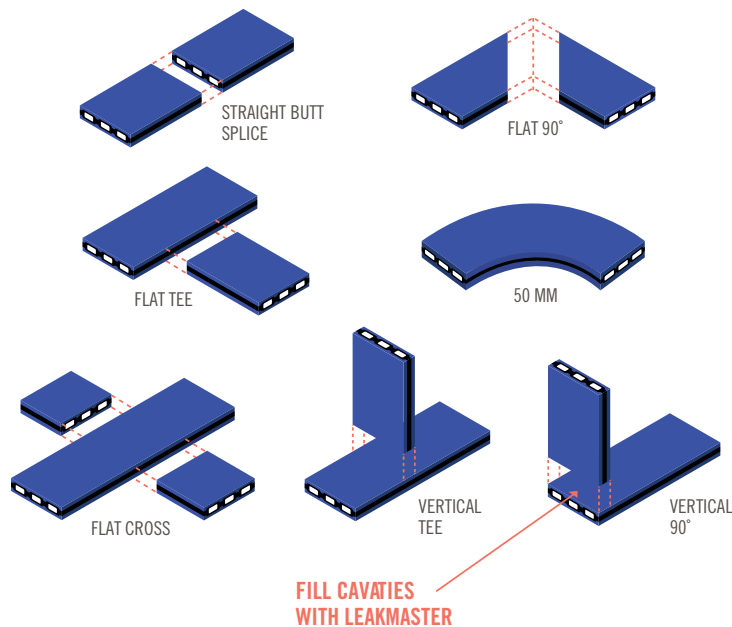
SPLICING

Hydrotite CJ profiles are designed with a cellular cross section that allows the profile to compress slightly when concrete is placed and rebound as the concrete shrinks during curing. The cellular cross section also acts to control the expansive force placed on the surrounding concrete.

Splicing Instructions - Cut straight lengths of Hydrotite square using a sharp knife. Place several drops of a cyanoacrylate type adhesive (super-glue) on the cut ends of Hydrotite and immediately join the ends together. Hold it in position for approximately 30 seconds to allow the adhesive to set. Proper alignment and bonding of the cut ends will prevent water entering the cells of the profile. Future hydration of the waterstop will further seal the bond area.

Splicing Options - For flat 90° corner joints, miter cut profile ends at 45° and bond profiles using cyanoacrylate type adhesive (super-glue). Butt splice flat "Ts" and "Xs" and bond profiles using cyanoacrylate type adhesive (super-glue). Butt splice corner joints and bond profiles using cyanoacrylate type adhesive (super-glue).

Bend to Radius - For curved installations, bend CJ-0725 with a minimum radius of approx. 50 mm. Otherwise, miter cut and bond with super-glue.



Apply Leakmaster at all joints to create a water tight seal.

HYDROTITE / PVC JUNCTIONS

Hydrotite CJ profiles are commonly used in conjunction with typical PVC waterstops and are cut to butt directly to the PVC. Place several drops of cyanoacrylate type adhesive (super-glue) to the PVC and the cut end of Hydrotite, and immediately join the ends together. Hold in position for approximately 30 seconds to allow the adhesive to set. Apply Leakmaster to the Hydrotite / PVC junction to create a watertight seal.

IMPORTANT PRECAUTIONS

- Concrete cracking, caused by the expansion pressure of Hydrotite, can be avoided by maintaining a 50 mm minimum concrete coverage. Increase cover dimension if lightweight or low strength concrete (>25 mPa compressive strength) is used. Use appropriate concrete placement techniques to provide proper concrete consolidation.
- Store Hydrotite in a cool, dark and dry place.
- Do not expose to moisture prior to installation or Hydrotite may expand prematurely.
- Take adequate measures after Hydrotite installation to prevent exposure to rain water or ground water prior to concrete placement.

RELATED PRODUCTS

- CJ-0725
- CJ-1020
- CJ-2020
- CJ-3030
- SS-0215
- Leakmaster

RELATED LITERATURE

- Product Data Sheets
- Hydrotite Properties
- Project Summaries
- Profile List
- SDS

